



NYK LINE

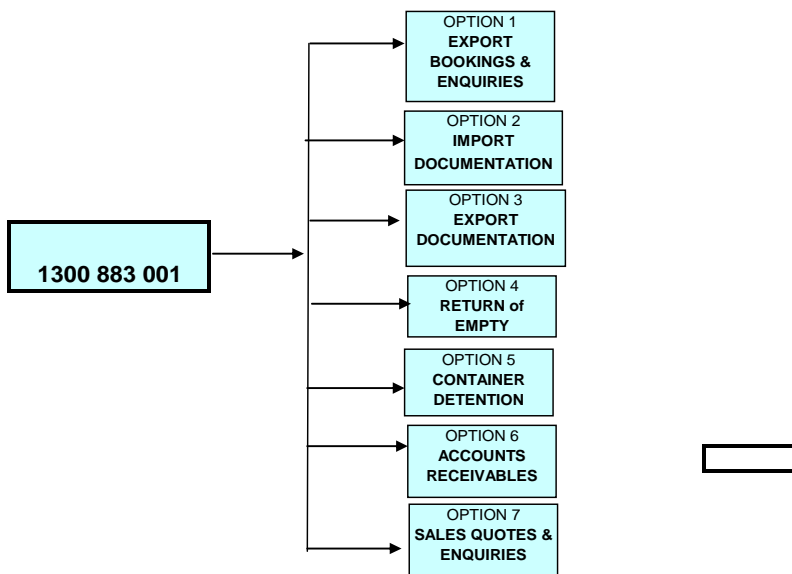
Customer Service - Contact Details

Dear Valued Customer,

Thank you for your continued support. To assist you in your communications with our teams, please find attached a copy of our latest phone and email contacts.

We wish to inform you NYK Line now have one centralised Customer Service number which is **1300 883 001**.

Please find attached a one page summary of all of our key contact details to assist any enquiries. Thank you for your assistance in distributing this document to any new staff members within your teams.



If you have any questions please do not hesitate to contact ourselves.

Yours sincerely
NYK Line



NYK Line Contact Information

Phone and Email List Summary

EXPORTS PHONE: 1300 883 001	
Sales/Rate Quotes	Select Option 7 for Rate Quotes
Bookings/General Enquiries	Select Option 1 for Bookings Email: syd_expcsvc@oc.nykline.com Fax: 1300 883 002
Hazardous Enquiries/Paperwork	Select Option 1 for Bookings Email: syd_expcsvc@oc.nykline.com Fax: 1300 883 002
Equipment Control (Return of Empty Equipment)	Select Option 4 for Equipment Control Email: syd_eqc@oc.nykline.com Fax: 1300 883 002
Export Documentation	Shipping Instructions/Amendments: Email: au_exportfi@oc.nykline.com Fax: 1300 883 004 Other Enquiries: Select Option 3 for Export Documentation Email : syd_expdoc@oc.nykline.com
IMPORTS PHONE: 1300 883 001	
Import Documentation	Select Option 2 for Import Documentation ➤ Electronic Delivery Orders: Email: syd_eido@oc.nykline.com ➤ Other Import Enquiries: Email: syd_impdoc@oc.nykline.com Fax: 1300 883 006
Detention	Select Option 5 for Container Detention Email: mark_nyberg@oc.nykline.com
Accounts Receivables	Select Option 6 for Accounts Receivables Email: josephine_chia@oc.nykline.com